



Installation instructions, accessories

Volvo Car Corporation Gothenburg, Sweden

Instruction No	Version	Part. No.
31408776	1.1	31408769

Side scuff plate



Installation instructions, accessories

Volvo Car Corporation Gothenburg, Sweden

Materials

Designation	Part number
Isopropanol	1161721
Masking tape	
Paint primer	1161727

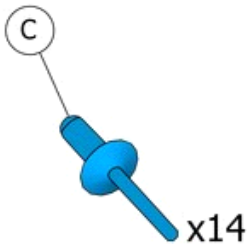
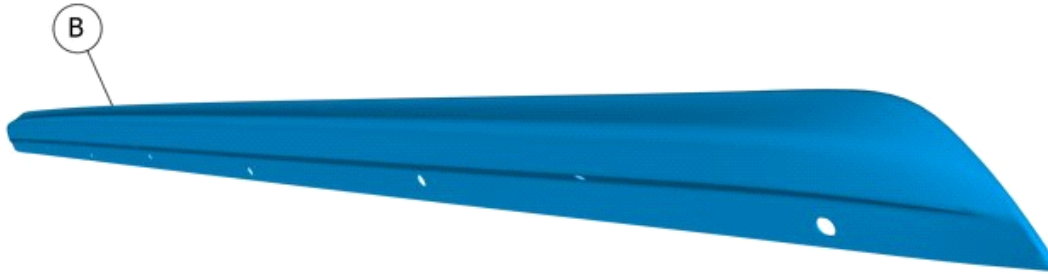
Equipment



IMG-239681



IMG-239940



IMG-420664



Installation instructions, accessories

Volvo Car Corporation Gothenburg, Sweden

Information

1

Read through all of the instructions before starting installation.

Notifications and warning texts are for your safety and to minimise the risk of something breaking during installation.

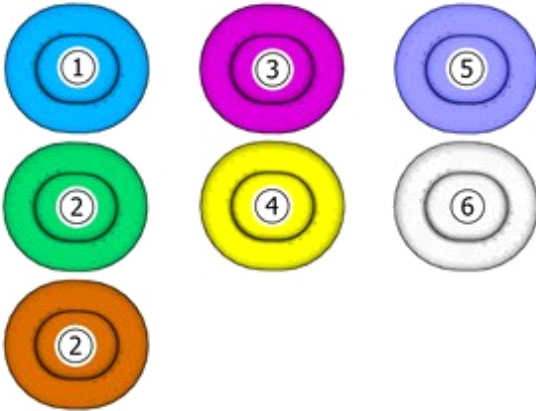
Ensure that all tools stated in the instructions are available before starting installation.

Certain steps in the instructions are only presented in the form of images. Explanatory text is also given for more complicated steps.

In the event of any problems with the instructions or the accessory, contact your local Volvo dealer.

Color symbols

2



IMG-363036

Note!

This colour chart displays (in colour print and electronic version) the importance of the different colours used in the images of the method steps.

- Used for focused component, the component with which you will do something.
- Used as extra colors when you need to show or differentiate additional parts.
- Used for attachments that are to be removed/installed. May be screws, clips, connectors, etc.
- Used when the component is not fully removed from the vehicle but only hung to the side.
- Used for standard tools and special tools.
- Used as background color for vehicle components.

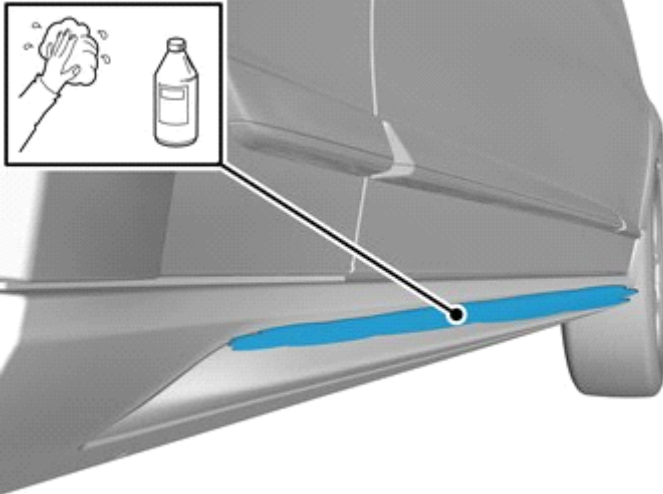
Preparation



Installation instructions, accessories

Volvo Car Corporation Gothenburg, Sweden

3



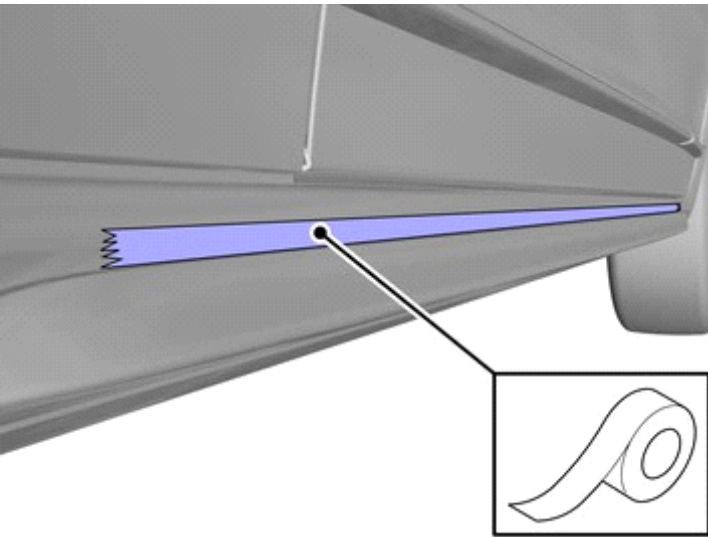
IMG-420673

Clean the surface.

Allow to dry.

Use: 1161721, Isopropanol

4

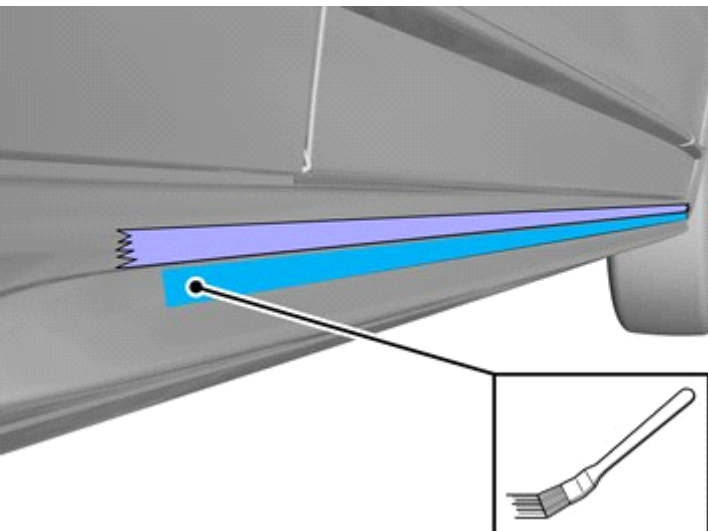


IMG-423741

Masking

Use: , Masking tape

5



IMG-421573

Apply a thin and even layer.

Use: 1161727, Paint primer

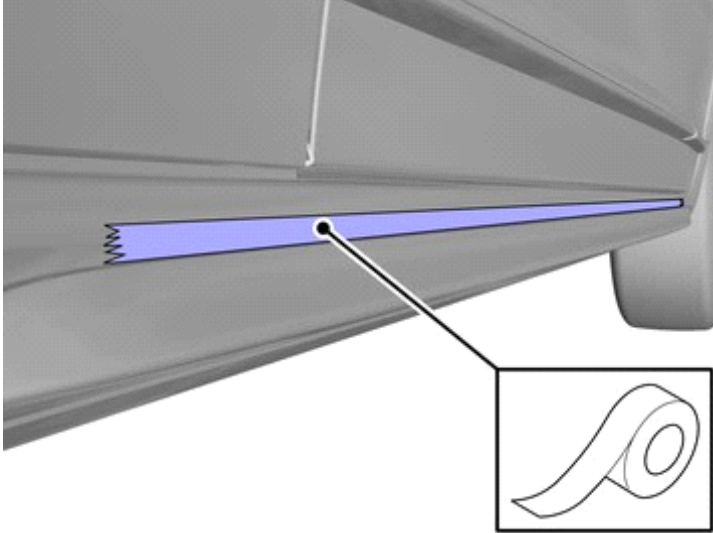
Allow to dry for at least 5 minutes but not more than 30 minutes.



Installation instructions, accessories

Volvo Car Corporation Gothenburg, Sweden

6



IMG-423741

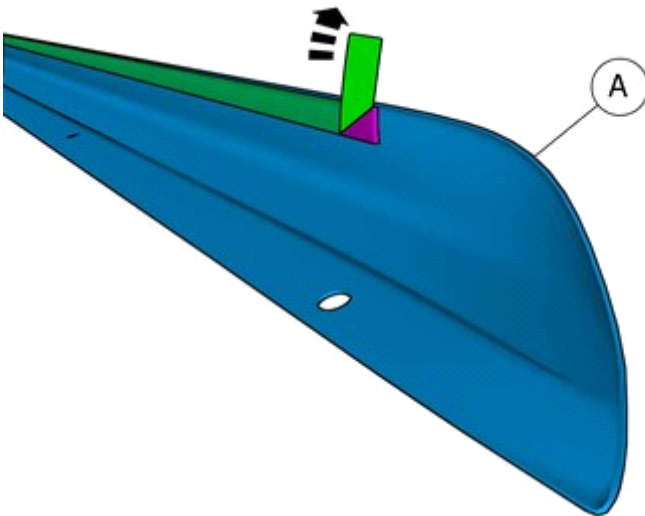
Remove the tape.

7

Repeat all method steps for the other side.

Accessory installation

8



IMG-420694

Fold the protective film forward

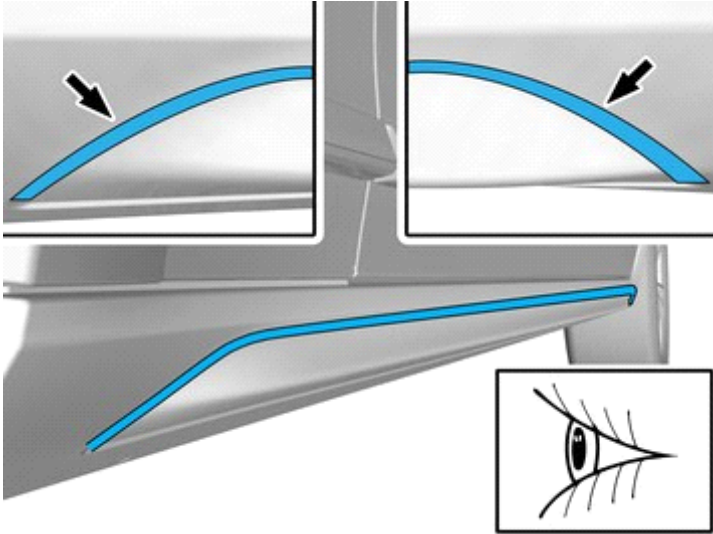
To be repeated in the other end of the component.



Installation instructions, accessories

Volvo Car Corporation Gothenburg, Sweden

9

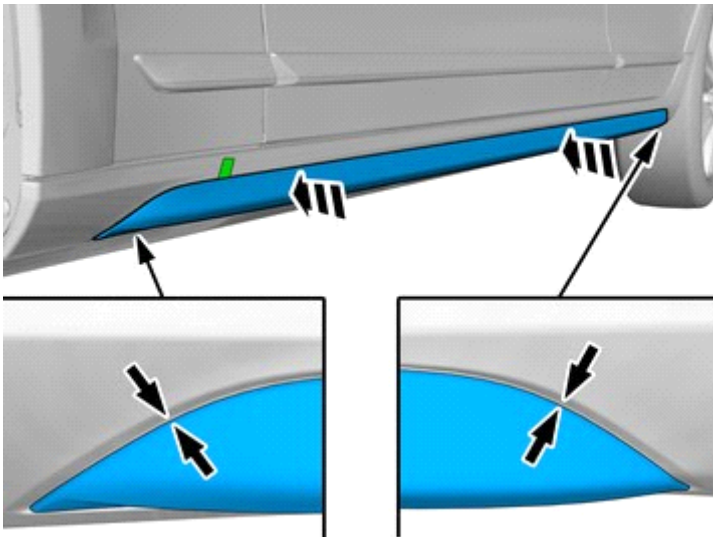


IMG-424875

Caution!

Take extra care not to damage the edges of the component.

10



IMG-420691

Note!

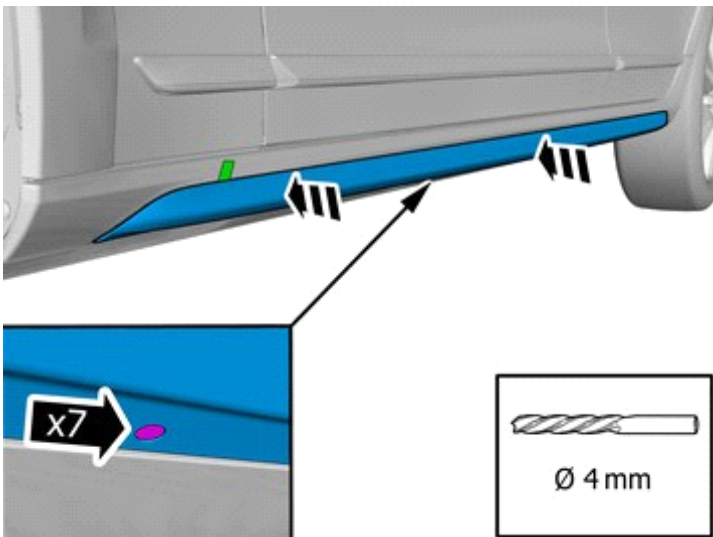
This step is easier with two people.

Note!

Make sure that the component is centred.

Place the component where indicated in the graphic.

11



IMG-423145

Note!

This step is easier with two people.

Press the marked component.

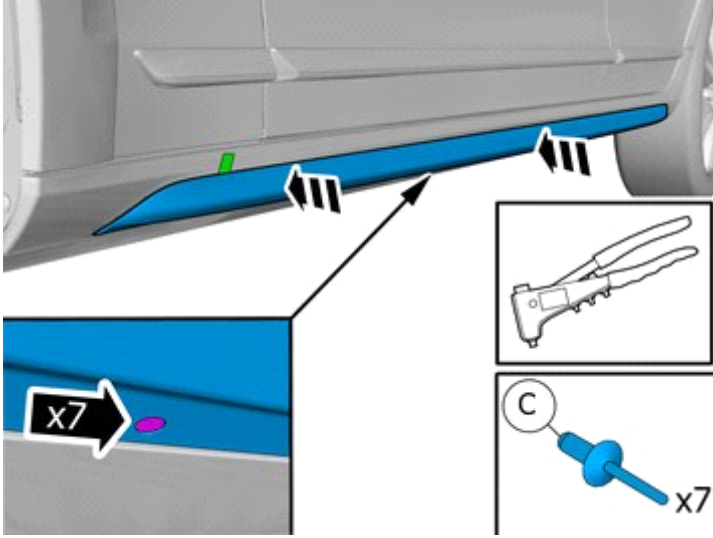
Use a drill with the stated size



Installation instructions, accessories

Volvo Car Corporation Gothenburg, Sweden

12



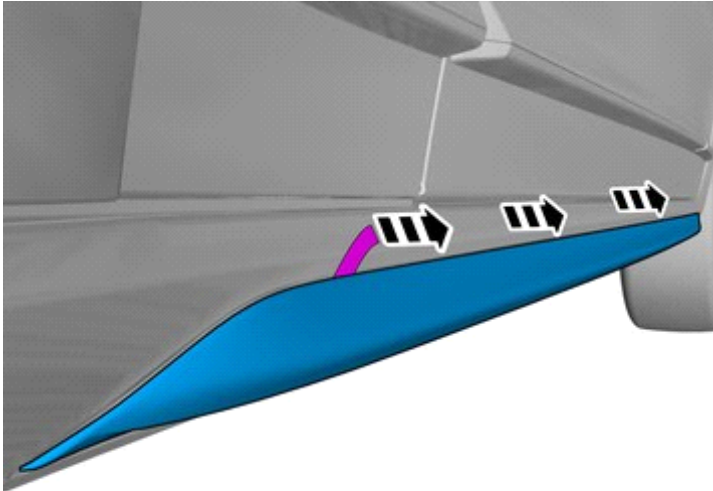
IMG-420696

Note!

This step is easier with two people.

Install component that comes with the accessory kit.

13



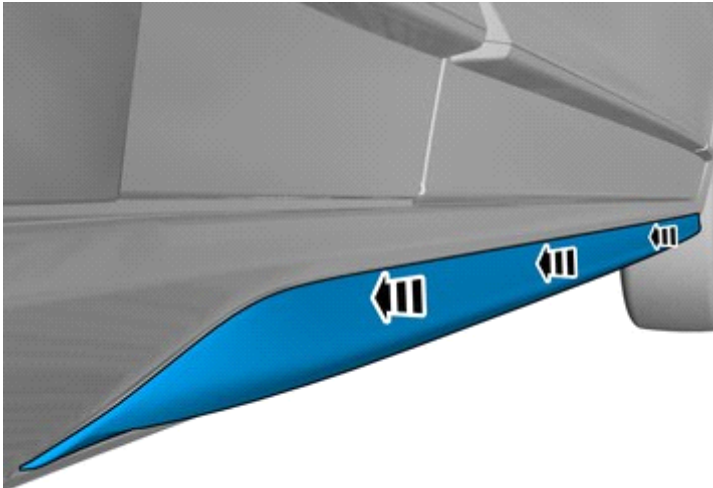
IMG-420695

Caution!

Pull carefully.

Remove the protective film.

14



IMG-421560

Note!

Press and apply pressure to the part over the tape for at least 20 seconds.



Installation instructions, accessories

Volvo Car Corporation Gothenburg, Sweden

15

Repeat the steps when installing accessories on opposite side.
